

**Safety Instructions** 



0,1,4,6,7,8,9,11,15,  
20,22,23,26,27

Info Hotline 

**+49 (0) 5041 998 389**

Mon. - Do. 7<sup>00</sup> - 20<sup>00</sup>

Fr. 7<sup>00</sup> - 17<sup>00</sup>

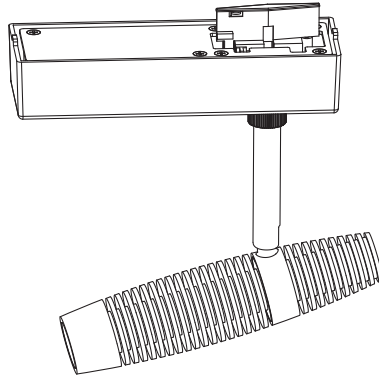


Paulmann Licht GmbH  
31832 Springe / Germany  
www.paulmann.com

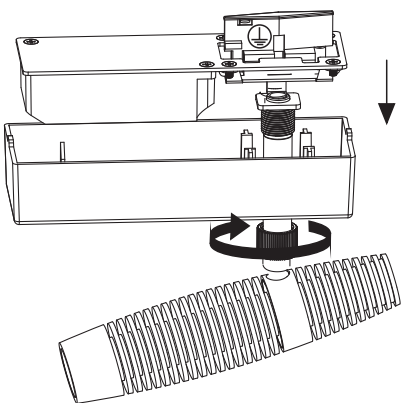
Art.-Nr.:  
**951.11**  
**951.12**  
**951.13**

(+MA 173)

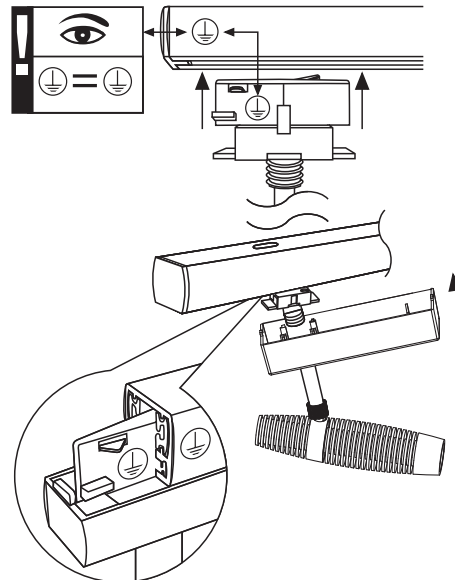
PH 10/11




**A**

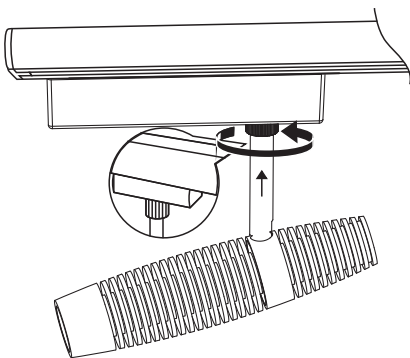


**B**

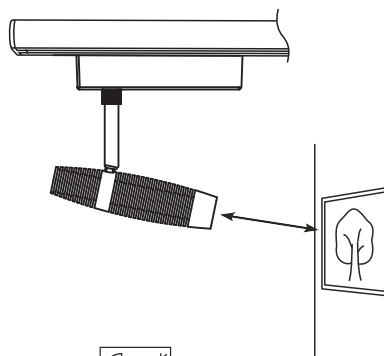


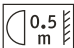
 Safety Instructions  
**Nr.0**

**C**



**D**



>0.5m = 

 Safety Instructions  
**Nr.9**

A B C

D

 Safety Instructions  
**Nr.0.4**